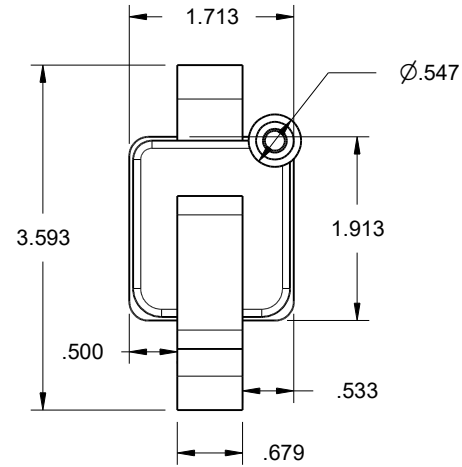
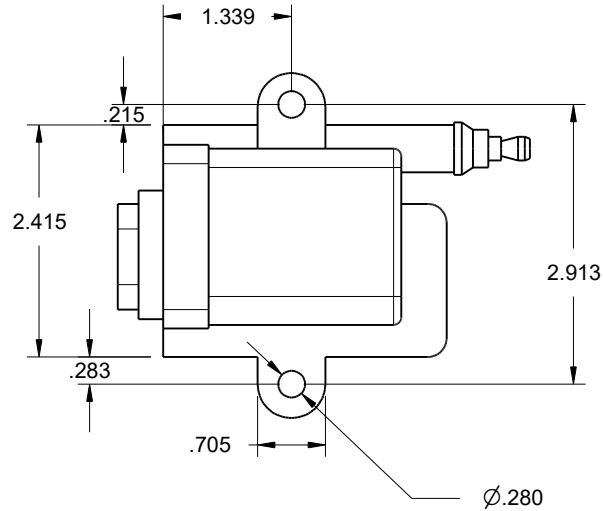
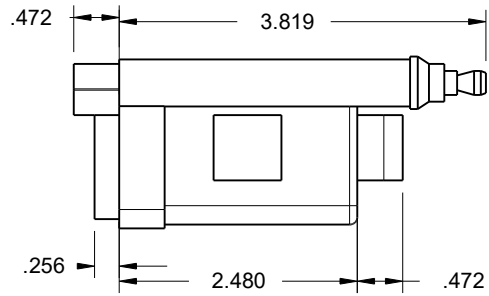




REVISIONS

ZONE	REV	DESCRIPTION	DATE	APPROVED
------	-----	-------------	------	----------



	DRAWN MAC	DATE 4-11-2019				
	CHECKED					
	QA					
	MFG		SIZE <b>A</b>	FSCM NO.	DWG NO. IGN-1A CUSTOMER DRAWING	REV
	APPROVED		SCALE 1:1		SHEET 1 OF 1	

