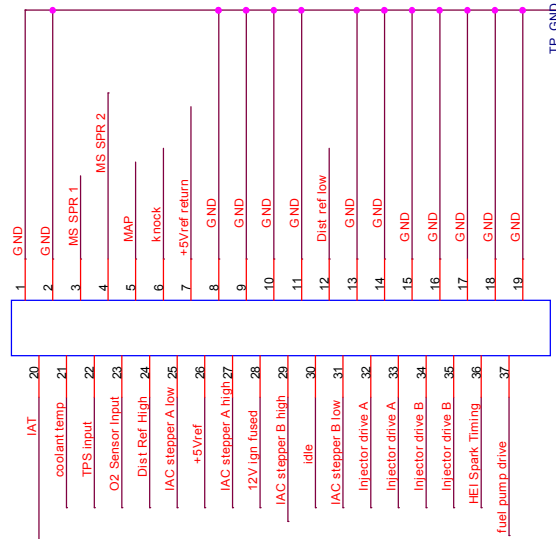
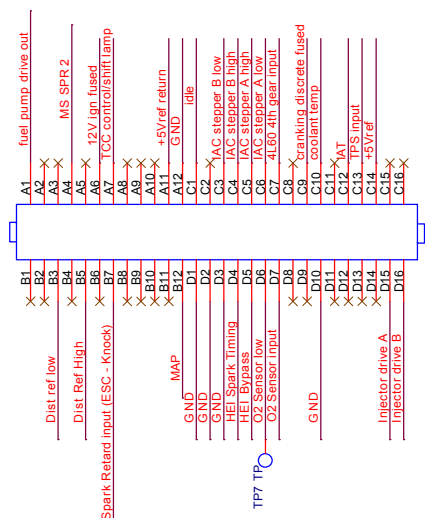


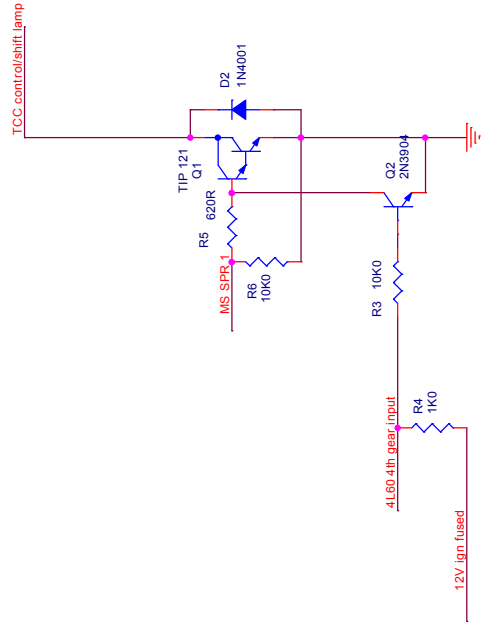
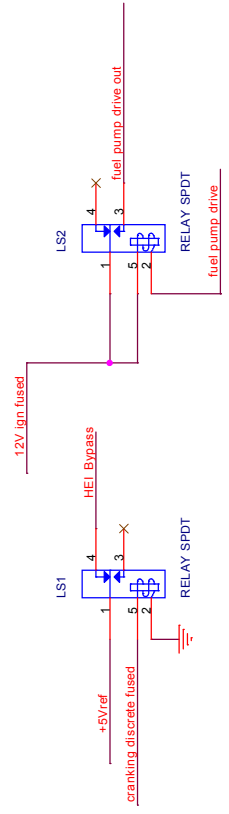
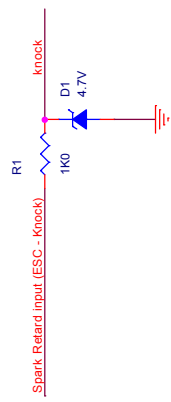
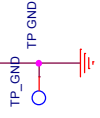
J1



J2



HEADER 28x2



Install Q2, R3 and R4 for automatic transmissions only. Also the 4th gear pressure switch output must have #12 while in 1,2,3 & rev gear. On when in 4th (OD). This inhibits TC lockup until in OD. TCC Control 2nd note if the TCC control is routed through a 4th gear pressure switch inside the transmission (END USER responsible to check) that allows TCC operation only in 4th gear then delete R3, R4 and Q2.

EMTech MotorSports 2007

File	Megasquirt GM 165 Adapter
Size	B
Document Number	<Doc>
Rev	1
Date:	Sunday, June 14, 2009
Sheet	1 of 1