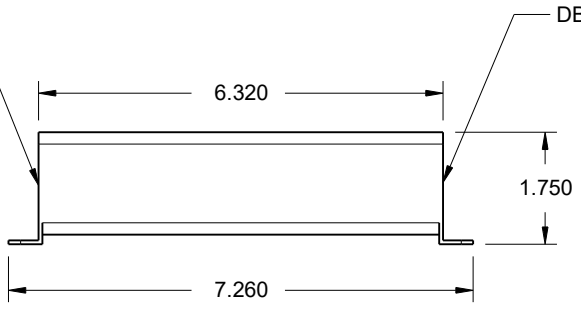
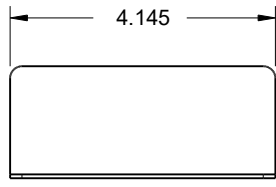


REVISIONS				
ZONE	REV	DESCRIPTION	DATE	APPROVED

Serial connector
DB15 (V3.57 only)



DB37 connector



	DRAWN MAC	DATE 1-10-2019				
	CHECKED					
	QA					
	MFG		SIZE A	FSCM NO.	DWG NO. MS1 and MS2, V3.0 or V3.57 board	REV
	APPROVED		SCALE 1:1		SHEET 1 OF 1	

