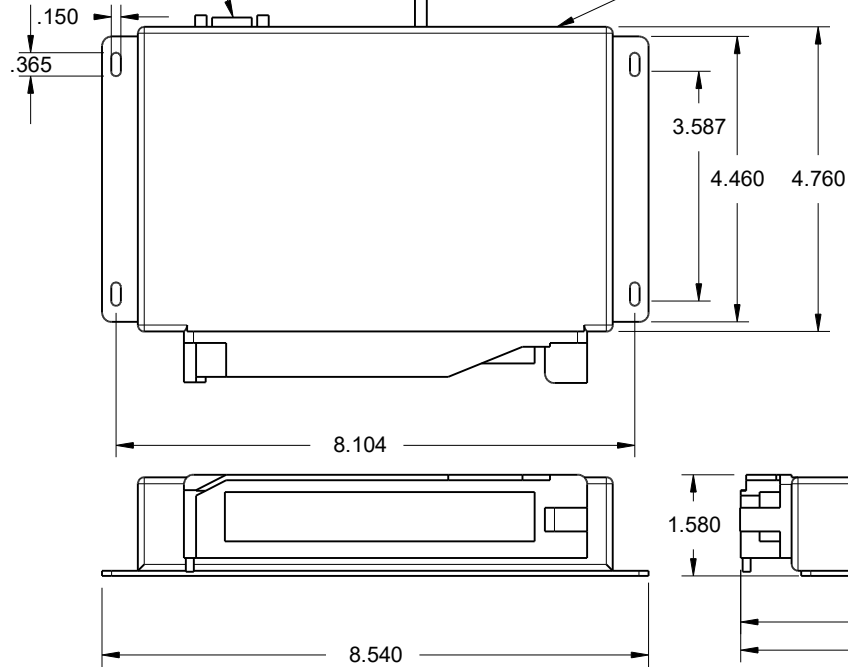




REVISIONS

ZONE	REV	DESCRIPTION	DATE	APPROVED
------	-----	-------------	------	----------

MAP sensor port  
 Serial connection to laptop  
 Options port for additional I/O



	DRAWN MAC	DATE 1-9-2019				
	CHECKED					
	QA					
	MFG		SIZE <b>A</b>	FSCM NO.	DWG NO. MSPNPPro-E369395	REV
	APPROVED		SCALE 1:1		SHEET 1 OF 1	

