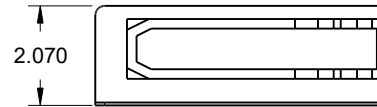
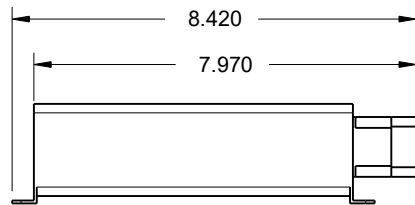
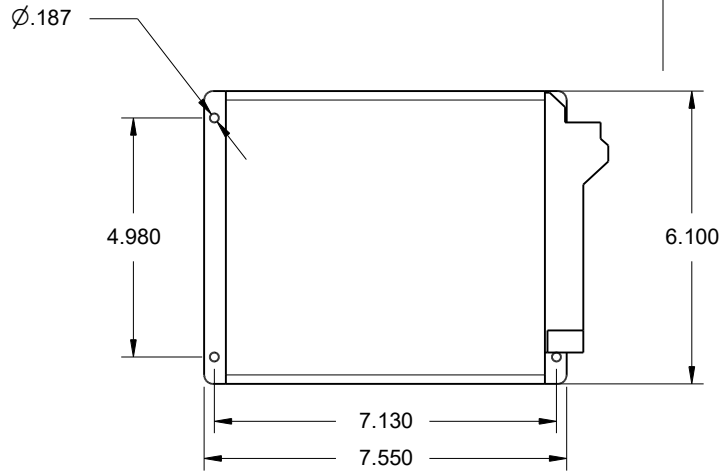




REVISIONS

ZONE	REV	DESCRIPTION	DATE	APPROVED
------	-----	-------------	------	----------



	DRAWN MAC	DATE 1-9-2019			
	CHECKED				
	QA				
	MFG		SIZE A	FSCM NO.	DWG NO. MSPNP2-B8793
	APPROVED		SCALE 1:1		REV SHEET 1 OF 1

