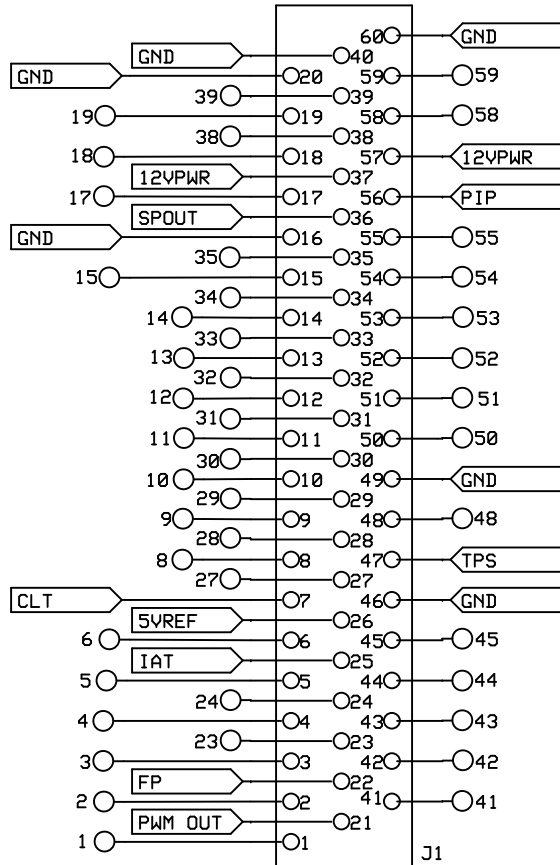
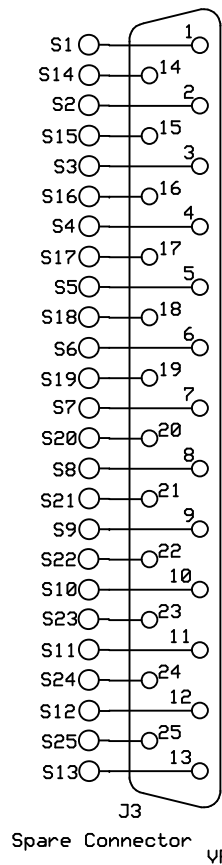


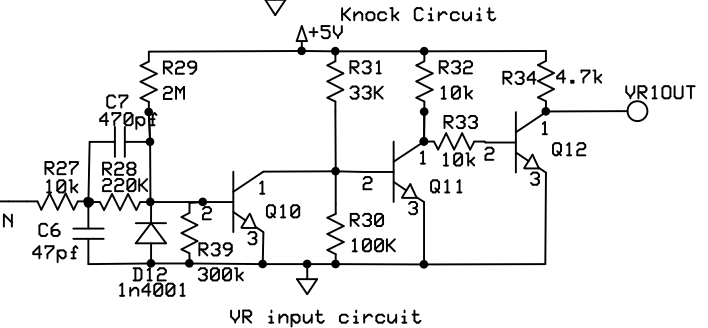
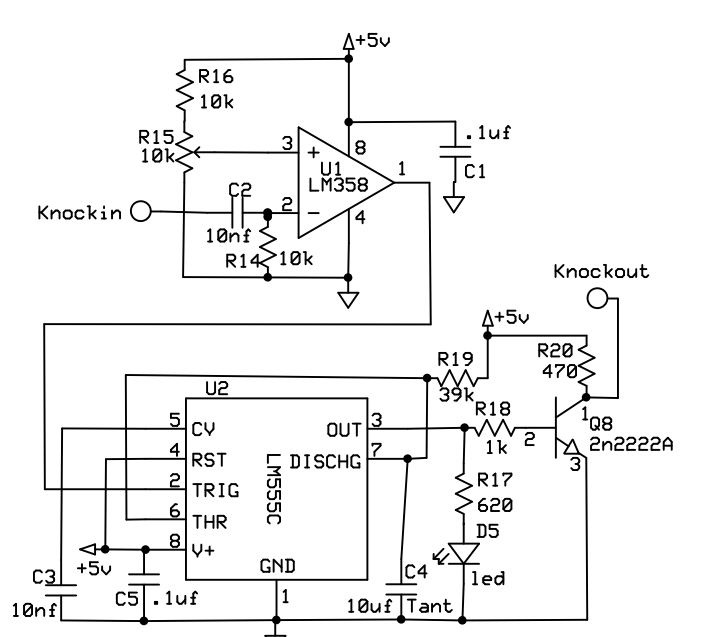
MegaSquirt DB37 Connector



Ford EECIV 60pin



Spare Connector



VR input circuit

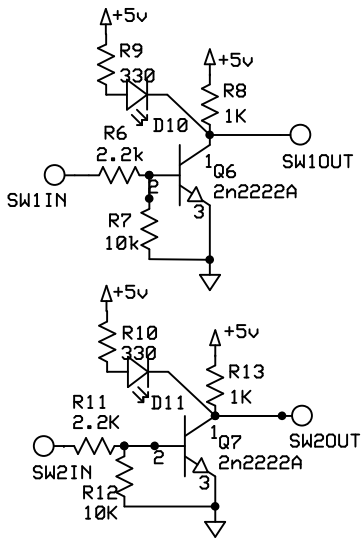
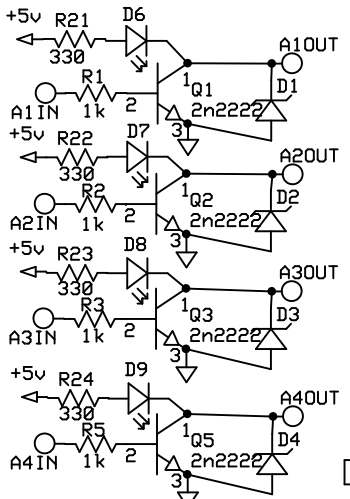
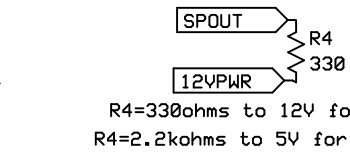


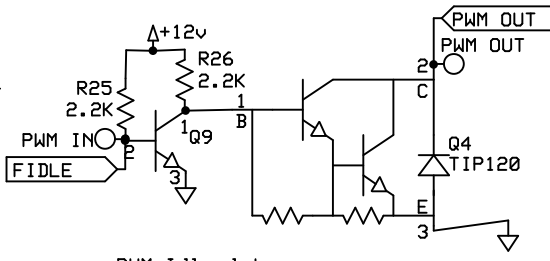
Table switching/knock input



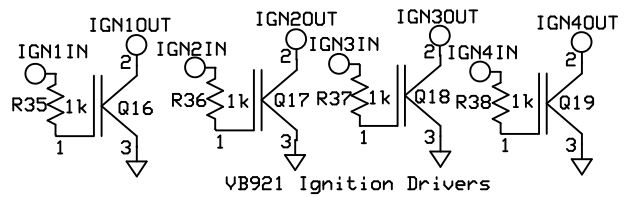
AUX DRIVERS



R4=330ohms to 12V for TFI
R2=2.2kohms to 5V for EDIS



PWM Idle driver



VB921 Ignition Drivers

Megasquirt		
EEC-IV adaptor board		
Scott Hall	Rev 2.0	Page 1 of 1
fscotthall@comcast.net	04/23/2006	